

POWER DIVIDERS, RESISTIVE

Type N, up to 18 GHz, 1 Watt

SPECIFICATIONS:

Models: 6007, 6007-02

RoHS
Compliant

AEROFLEX
A passion for performance.

Electrical:

Frequency Range _____ See Below
 Standard Freq. Values _____ 12.4 & 18 GHz
 Input VSWR _____ See Below
 Impedance _____ 50 Ohms
 Insertion loss _____ See Below
 Phase Tracking _____ See Below
 Input Power _____ 1 Watt Avg. @ 25°C
 Derated Linearly to 0 Watts @ +125°C
 Power Coefficient _____ <0.005dB/dB/Watt
 Temperature Coefficient _____ <0.0004dB/dB/°C
 Operating Temp Range _____ -55°C to +125°C

Mechanical:

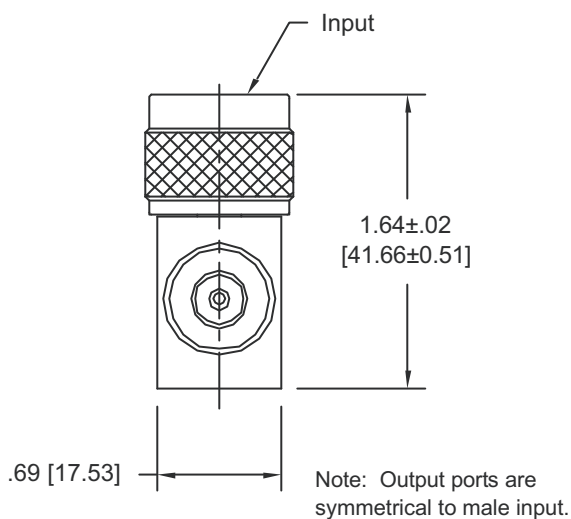
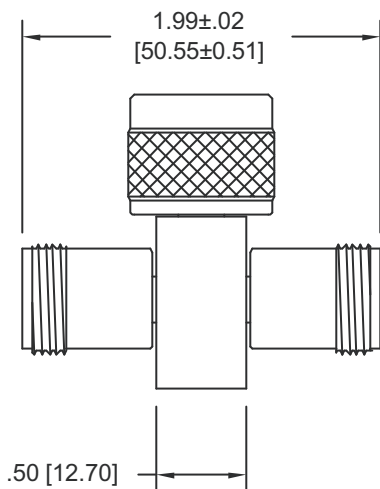
Type N Connectors _____ Passivated Stainless Steel
Mate IAW MIL-STD-348
 Housing _____ Anodized Aluminum
 Conductors _____ Gold Plated Beryllium Copper

Model Number: 6007

Frequency Range _____ DC - 18 GHz
 Input VSWR _____ 1.35:1 Max.
 Insertion Loss _____ 7.5dB Nominal
 Phase Tracking _____ ±3°
 (between output ports)
 Amplitude Tracking _____ 0.5 dB

Model Number: 6007-02

Frequency Range _____ DC - 12.4 GHz
 Input VSWR _____ 1.25:1 Max.
 Insertion Loss _____ 6dB Nominal
 Phase Tracking _____ ±2°
 (between output ports)
 Amplitude Tracking _____ 0.4 dB



Note: Dimensions in Brackets are Expressed in Millimeters and are for Reference Only.
 Design specifications are subject to change without notice.
 Contact factory for technical specifications before purchasing or use.

6007: REV F

AEROFLEX
INMET

Aeroflex / Inmet, Inc. • 300 Dino Drive, Ann Arbor, MI 48103 • U.S.A.
 888-244-6638 or 734-426-5553 • FAX: 734-426-5557
 www.aeroflex-inmet.com • inmet-sales@eroflex.com